



FENDT

Fendt 500 Vario





Fendt 500 Vario.

- 4 At a glance.
- 6 Spotlights.
- 10 Engine.
- 14 Transmission.
- 18 Hydraulics.
- 24 Structure.
- 28 Cab.
- 34 Smart Farming.
- 42 Fendt Services.
- 48 Technical Details.
- 50 Equipment variants.
- 51 Technical specifications.



At a glance.

Fendt 500 Vario - ONE IS SIMPLE: FendtONE

Conditions in agriculture are becoming increasingly challenging: from extreme weather events to stricter legal guidelines.

With the Fendt 500 Vario with FendtONE, on the other hand, we offer you something that makes your work easier - both on the machine and during preparation and follow-up work in the field.

In addition, the Fendt 500 Vario scores with its outstanding manoeuvrability and clarity. It is not for nothing that the Fendt 500 Vario is one of the most popular all-round tractors: strong in traction, precise in maintenance work, particularly economical in consumption and comfortable and safe in transport.

- Power segment 124 - 163 hp nominal power (according to ECE R120)
- FendtONE:
 - new driver workstation (onboard)
 - Planning and management functions with FendtONE offboard
- 3 front linkage variants up to relieving regulation
- VisioPlus cabin in 3 different versions
- Standard headland management Fendt TI
- Fendt Reaction steering system
- Choice of numerous Smart Farming features, e.g. Fendt TI Headland for professional headland work
- Software updateable: performance that grows with you

Engine		512 Vario	513 Vario	514 Vario	516 Vario
Rated power ECE R 120	kW/hp	91/124	98/133	110/150	120/163



Fendt 500 Vario Spotlights.

Here you will find the special Fendt solutions, the so-called Fendt Spotlights, which make the difference and simply make your work better every day.



1. VisioPlus Cabin

- Spacious cabin with a field of vision of 77°.
- numerous storage compartments
- comfortable passenger seat

2. FendtONE driver's workstation

- new armrest with Fendt-known elements
- Flexible key assignment via the Individual OperationManager (IOM)
- Up to three displays an option: 10" dashboard, 12" terminal on armrest, 12" terminal retractable into cab liner
- Colour coding of the different function groups, also for function reassignment
- 3L joystick with reverse button

3. front linkage cat. 2 position / relief

- Front linkage fully integrated into the vehicle concept
- Permanent height adjustment of the implement to the terrain

4. front loader Fendt CARGO 4X/80 DW with 3rd valve

- Performs up to three functions simultaneously, e.g. when used with a round bale grab: lowering, tilting and opening the bale grab

5. software updates - always up to date with the latest technology

- Securing the technical advantage and value retention of the machine





7.

6. Fendt Reaction steering system

- Safe straight-ahead running: steering wheel is automatically returns to the centre position
- Safe and sensitive steering- Driving comfort like a car/truck

7. headland management Fendt TI

- Save recurring sequences at the headland and activate them at the desired time.
- Manually create the optimum operating sequence when stationary or record and save it while driving
- Activation of the defined sequence of work steps at the touch of a button

8. smart farming modules - individually selectable

- four modules from which you can choose as required: Guidance - Agronomy - Telemetry - Machine control
- each module consisting of basic package with all necessary start-up applications
- Can be expanded as required with options: Fendt Contour Assistant, Fendt TI Headland, Fendt Section Control and Fendt Variable Rate Control and much more.



8.

9. infotainment package + 4.1 sound system

- Hands-free system: 8 microphones installed in the cab liner for perfect acoustics
- Best radio reception thanks to FM/AM/DAB+/HD and permanent station search via two antennas
- Four high-end speakers and a subwoofer for superior sound quality
- MP3 playback via USB, AUX-IN or via Bluetooth directly from smartphone

10. automatic steering axle lock

- Trailing steering axle of trailers is automatically opened within a selectable speed range
- No need to manually lock the trailing steered axle outside the selected speed range or when reversing
- Stable handling at higher speeds thanks to rigid trailing steering





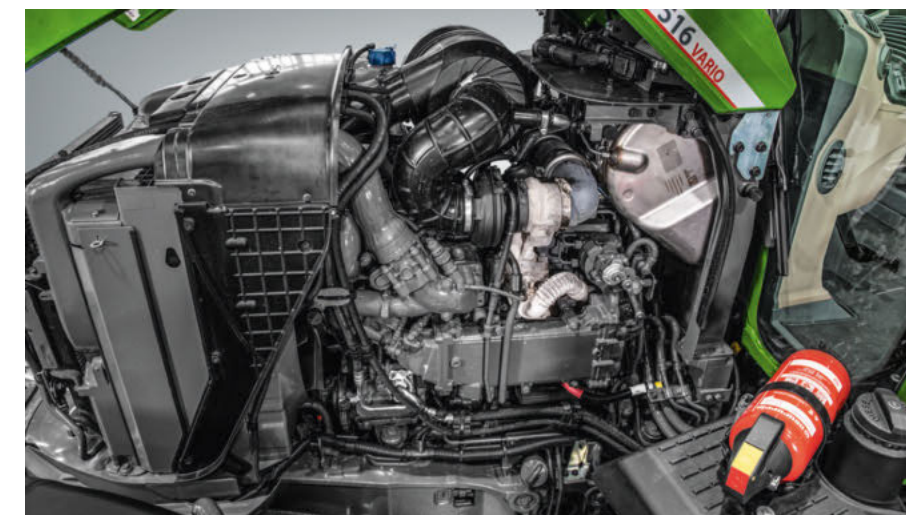
Engine.

High torque, economical and clean. The Fendt 500 Vario's dynamic and high-torque 4-cylinder engine impresses with its economical diesel and AdBlue consumption while meeting the current exhaust standard of stage V.



- + Low nominal speed at 2100 rpm for optimised fuel consumption
- + Electronic engine control enables optimum adjustment of the engine
- + High torque for the highest performance demands

- Wide constant power range
- Excess power characteristic
- Common rail - multiple injection with 1600 bar injection pressure
- Final speed at reduced engine speed (1700 rpm at 50 km/h or 1400 rpm at 40 km/h)
- High maximum torque of 699 Nm at 1500 rpm (516 Vario)
- High torque increase (up to 36%)



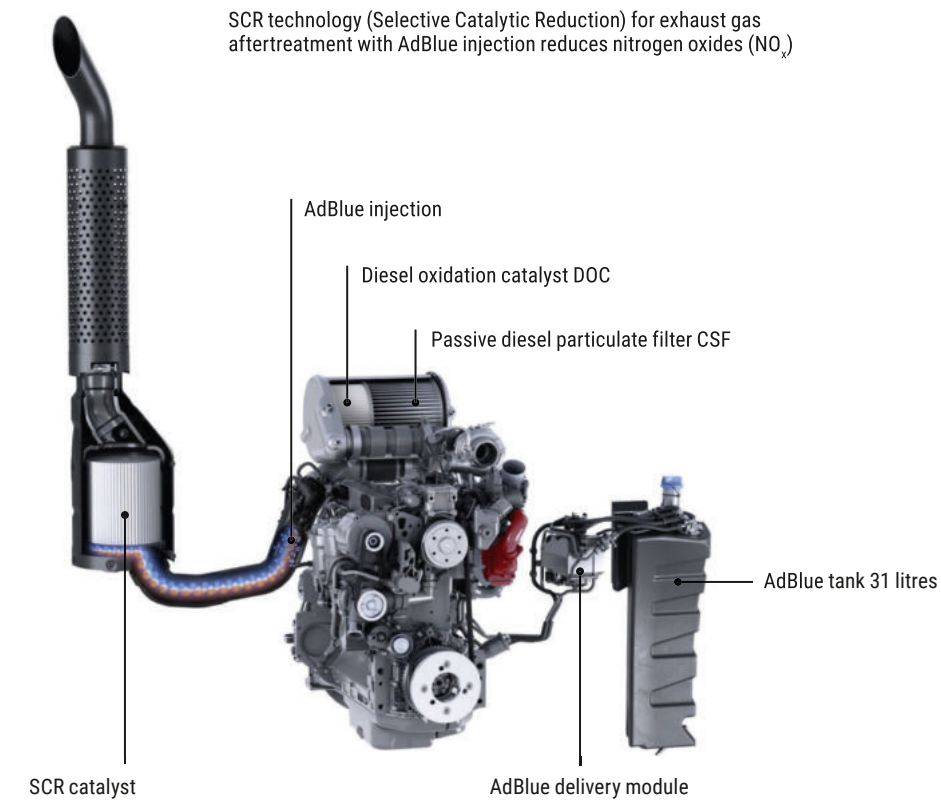
Features

- Deutz (TCD 4.1 L4) - 4.04 litre capacity, 4 cylinders, 4 valve technology
- Exhaust gas aftertreatment with external exhaust gas recirculation (EGR), diesel oxidation catalyst (DOC), passive diesel particulate filter (DPF) and Selective Catalytic Reduction (SCR)
- Pneumatically controlled wastegate turbocharger without engine brake (for all types)
- Fuel prefilter with thermostatic valve
- Bonnet lock, can only be unlocked with vehicle key



- + Optimum performance characteristics
- + Complies with exhaust stage Tier 4 final/ Stage V
- + The compact design allows for a very good overview
- + Electronic motor control guarantees optimum utilisation of the motor

SCR technology (Selective Catalytic Reduction) for exhaust gas aftertreatment with AdBlue injection reduces nitrogen oxides (NO_x)





Transmission.

Drive at the perfect speed at the economic optimum: With the Fendt Vario transmission, you can make use of power reserves that are not accessible with power-shift transmissions.



Proven Vario gearbox ML 90

- Stepless, jerk-free starting and driving for maximum flexibility
- Stepless travel drive from 20 m/h to 50 km/h at reduced speed (1700 rpm)
- Completely wear-free change from forward to reverse by swivelling the hydraulic pump
- Simple control of the gearbox via joystick, electromechanical drive and adjusting shaft with cam track
- Automated operation through cruise control function and load limit control 2.0

- High-performance hydrostats with very high efficiency
- Permanent frictional connection
- Independent control of engine/power take-off speed and travel speed
- Separate circuits for transmission and hydraulic oil

Advantages

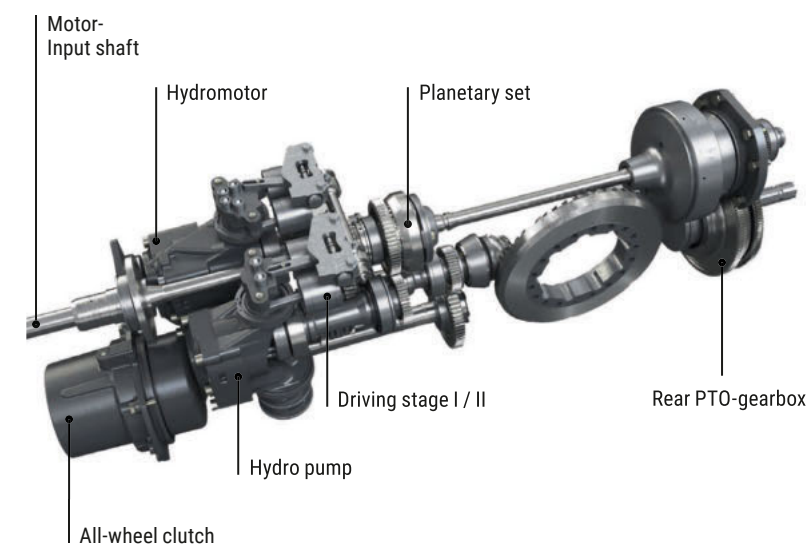
- High fuel efficiency due to automated tuning of transmission and engine (TMS) depending on load
- Low fuel consumption during transport work due to reduced engine speed at top speed
- Optimum engine utilisation due to stepless speed adjustment
- Gear oil change only every 2000 hours
- No special oil necessary
- Electronic control guarantees optimum setting or monitoring of the gearbox
- No dirt entry via hydraulic system thanks to separate oil circuits

Three speed PTO

- Stub PTO with three speeds or flange PTO with two speeds
- Connection crankshaft and PTO stub only via one gear stage
- Electrohydraulic speed preselection in the dashboard or terminal
- External operation on both sides of the mudguard
- Automatic start-up control
- Overload protection to protect the motor
- Stationary operation possible
- Bevelled and chamfered profile, thus quick and easy fitting of cardan shafts
- Reaching the ZW nominal speed already at approx. 1940 rpm of the engine (or 540 E at approx. 1500 rpm), thus low fuel consumption



- + PTO implements can be operated at constant speed and at the same time variable driving speed
- + Time and fuel-saving implement combinations thanks to front and rear PTO shaft





Hydraulics.

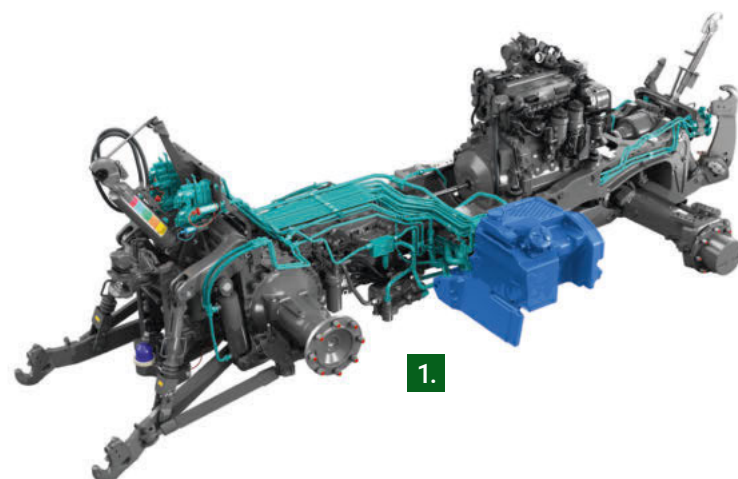
Equipped with modern load sensing hydraulics, up to seven electro-hydraulic valves and front and rear linkage with superior functionality. The Fendt 500 Vario leaves nothing to be desired when it comes to hydraulics



1. Features

- Power/Power+: standard load-sensing pump with optional 75 or 110 l/min pump output
- Profi/Profi+: standard load-sensing pump with optional 110 or 158 l/min pump output
- High removable oil quantity of 55 litres
- Separate transmission and hydraulic oil balance

- Optimum ergonomic arrangement of the controls for the working hydraulics and power lift
- Numerous setting options via the terminal (free assignment of operating locations, time function, oil quantity setting,...)
- Hydraulic oil preheating



2. Working hydraulics - equipment features

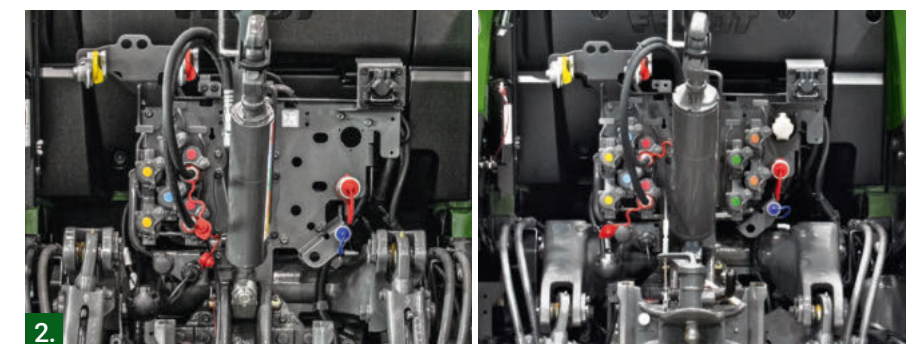
- For Power/Power+: max. 4 double acting valves in total (front 0/rear 4 or front 1/rear 3).
- For Profi/Profi+ applies: max. 7 double acting valves in total (max. 5 valves at the rear and max. 2 valves at the front)
- Flow rate adjustable from 0-100 l/min for each valve (+ and - separately)
- Power Beyond Connection
- Optional DUDK - lever couplings (UDK series)
- Removable hydraulic oil quantity: 55 litres
- External actuation available on both sides for a freely assignable additional control unit



- + Double-acting control units with float position
- + Numerous setting options
- + Simple and convenient operation via
- + Multi-function travel lever (proportional), and cross-shift lever or 3L joystick and linear modules

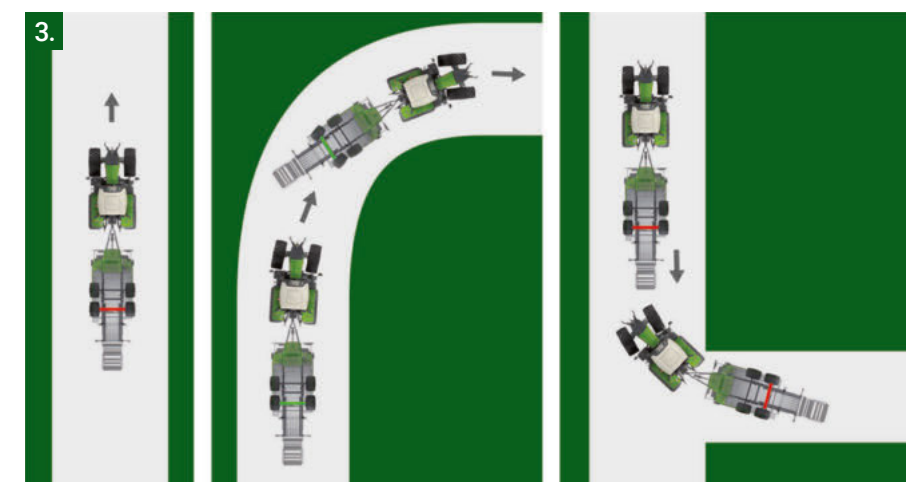
3. Automatic steering axle lock

- Automatic locking and opening of the trailer steering axle above and below respectively definable speeds
- Steering axle is always locked when reversing
- Activation and setting of the speed range (lower limit: 0 - 3 km/h; upper limit 10 - 25 km/h) as well as assignment of the hydraulic valve in the terminal.
- Automatic override possible



Power/Power+

Profi/Profi+





2. Comfort front linkage with position control and relief control

- Active regulation of the relief pressure
- Relief effect adjustable thanks to pressure relief valve
- Simple and convenient setting of the relief effect in the terminal
- Position sensor on the front linkage to detect unevenness
- No mower relief springs necessary

Advantages

- High lifting capacity for a wide range of applications
- compact design
- no restrictions on the working hydraulics due to having its own hydraulic valve
- Lower link quickly foldable and removable
- Passive vibration damping via nitrogen accumulator
- Wide choice of options for different areas of application
- Easier unit attachment due to external operation
- Easy operation and adjustment via proportional rocker, rotary wheel for depth regulation, memo function (for version with position control) and terminal
- Relief control e.g. for front mower (also with Power/Power+);
- Fuel saving, soil protection, directional stability
- Control also possible with the travel lever
- Protection of the cylinder rods by bellows against e.g. stone impacts

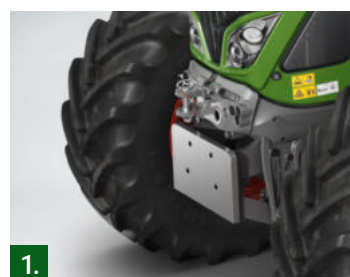


3. Rear linkage

- High lifting force: 7,890 daN
- EHR with proportional operation via rocker, rotary wheel for depth regulation, 2 memo positions
- Single-acting cylinders with locking function via mechanical locking device
- Single acting for Power/Power+
- Optional double-acting cylinders with Profi/Profi+
- Rear operation on the left and right mudguards
- Reinforced lifting struts and side support
- Active vibration damping for road travel with implements
- Load compensated lowering
- Tool-free change between cat. 2/3 by repositioning bolts

Advantages

- High lifting capacity for all applications
- External operation on both sides for easy attachment and detachment of implements
- Vibration damping for best driving comfort even with heavy attachments
- Easy operation and adjustment via power lift control module and dashboard/terminal
- high operating comfort
- Load-compensated lowering for constant lowering speed even with variable implement weights (e.g. seed drill)
- Operation of the linkage also possible via the multi-function joystick



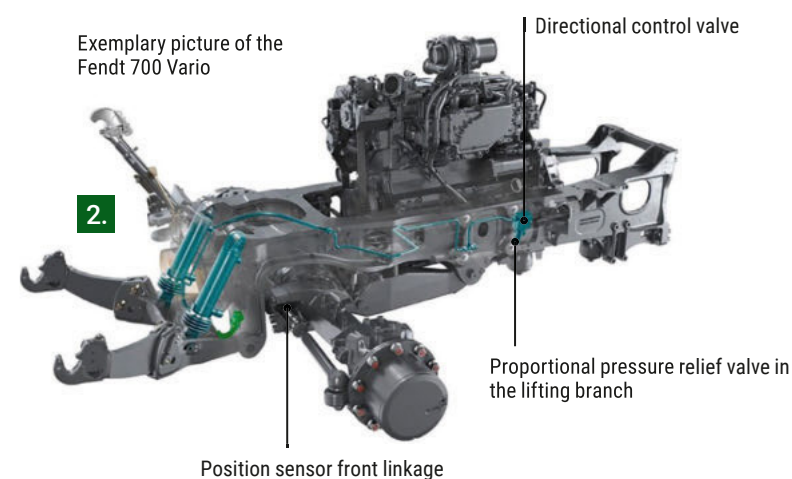
1. Front linkage

- High lifting force: 3,420 daN
- Separate hydraulic valve for FKH (separate from working hydraulics)

Variants:

- Without front linkage
- Comfort ballast support
- Standard front linkage, single acting

- Comfort front linkage with double-acting cylinders and position control
- Comfort front linkage with double-acting cylinders, position control and relief control (also possible with Power/Power+)





Structure.

The space-saving half-frame design of the Fendt 500 Vario creates space for suspension with longitudinal swing arm, which is characterised by particularly high driving comfort.



VarioActive superimposed steering

- in combination with Power+/Profi+ equipment
- at the headland, a complete wheel turn is realised with one turn of the steering wheel
- the superimposed steering uses the same steering valve as Fendt Guide
- Tractor drives with active superimposed steering only max. 25 km/h
- up to 8 km/h the superimposed steering has no restriction, from 8 to 18 km/h the superimposed steering is reduced linearly



Without VarioActive:
1x turn of the steering wheel = 26.6°

With VarioActive:
1x turn of the steering wheel = 43.3°

Superior ride comfort
Intelligent combination of 5 systems for maximum driving and working comfort: Chassis - suspension systems.

1. Level-controlled front axle suspension: for consistent ride comfort, independent of the load, due to level regulation

2. Cab suspension: mechanically or pneumatically suspended cab and spring-mounted driver's seat

3. Active vibration damping rear linkage: Compensation of rear implement vibrations prevents rocking: Front axle with even load - full steerability

4. Vibration-damped front linkage via nitrogen accumulator: prevented Rocking up, protects the implement and guarantees driving safety and comfort with heavy loads

5. Fendt Reaction steering with return center: sensitively controllable Fendt Reaction steering for safe directional stability





Cab.

The Fendt VisioPlus cab is a true visual and spatial wonder. The new driver workplace FendtONE guarantees more functionality, personalization and comfort. You will feel at home here immediately.



2. Cabin variants

Choice of three cabin variants:

- VisioPlus panoramic cabin: windscreen and right-hand side of cabin cannot be opened; completely pulled through
- Panoramic cabin VisioPlus + door right: continuous windscreen, door left and right
- Standard cabin VisioPlus: right door and windscreen open (right side continuous without B-pillar becomes door)



3. Cabin suspension

Choice between two variants:

- Mechanical: two conical bearings at the front, Panhard bar, two mechanical suspension elements at the rear
- pneumatic: two conical bearings at the front, Panhard rod, two pneumatic spring elements at the rear, integrated level control

Overview - VisioPlus Cabin

- FendtONE operating philosophy
- VisioPlus cabin in 3 different variants
- Compact rear-view mirror with integrated wide-angle component in series production
- optional: large, electrically adjustable and heated rear-view mirror with separately adjustable and heated wide-angle mirror
- Air conditioning or automatic air conditioning
- Dashboard swivels with steering wheel
- Various storage and stowage options
- Optional immobiliser with coded key
- Various suspension systems
- Innovative cross illumination

1. Advantages VisioPlus cabin

- Cabin with ideal dimensions: 6.1 m² glass surface, 2,520 l volume, 77° field of vision
- Higher performance of the driver through optimal driving and operating comfort
- Low noise level and excellent all-round visibility for comfortable work
- A wide range of equipment options for all needs
- Pneumatic suspension systems
- Storage facilities for catering and a tidy workplace
- Safety kit with first aid kit, safety waistcoat and warning triangle
- Crossed worklights for best visibility in the dark without shadows



- + Future-oriented infotainment system with many expansion options
- + perfectly balanced sound in the cabin
- + maximum ease of use
- + Complete integration into the vehicle

4. Infotainment - Overview

Electronic platform for entertainment and communication: Infotainment Package includes four integrative components:

- High End Handsfree
- Highest quality radio reception worldwide
- Connection of a wide range of external audio sources
- Fully integrated operation via terminal or rotary knob on the armrest

Sound system in various expansion stages: Infotainment Package includes four integrative components:

- Infotainment package: 4 premium speakers
- Infotainment package + 4.1 sound system (from Profi): 4 premium speakers plus subwoofer integrated in sound bar



Equipment lines with different settings

Two different settings can be selected for each equipment variant. All illustrations show standard equipment and optionally available front linkage.

4 different equipment lines

- Power
 - Power+
 - Profi
 - Profi+
- with "+" always guidance ready (guidance basic package) included
- Two different settings (Setting 1 and Setting 2) can be selected for each equipment line.
- Selection of the desired equipment line right at the beginning of the vehicle configuration
- New design as an identification mark that the vehicle is equipped with the new FendtONE driver's workstation.



Power Setting 1

- Optional: with terminal on the armrest
- Without cross gate lever
- Two finger-tip spools for operating the hydraulic valves



Power Setting 2

- Optional: with terminal on the armrest
- Cross gate lever



Power+ Setting 1

- 12" terminal on the armrest
- Cross-gate lever
- Two finger-tip spools for operating the hydraulic valves



Power+ Setting 2

- 12" terminal on the armrest
- 3L-Joystick
- Two finger-tip spools for operating the hydraulic valves



Profi Setting 1 / Profi+ Setting 1

- 12" terminal on the armrest
- Cross-gate lever
- Four finger-tip spools for operating the hydraulic valves



Profi Setting 2 / Profi+ Setting 2

- 12" terminal on the armrest
- 3L-Joystick
- Four finger-tip spools for operating the hydraulic valves

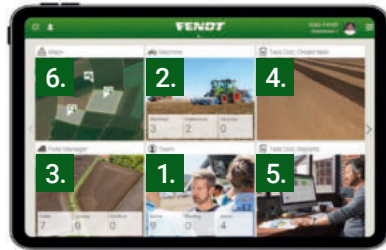




Smart Farming.

Today, a tractor is much more than just iron and steel. Intelligent technology solutions ensure that the fleet can be used with the greatest possible efficiency.

FendtONE offboard.



1. Comprehensive team management

- Overview of all employees and their roles in the operation (owner, driver, trainee, etc.)
- Varied authorization for different functions in FendtONE (read, write, no access)
- Establishing end dates for accounts

2. Efficient machine management

- Central overview of the machine fleet
- Telemetry information such as position, operating hours, error codes, AdBlue and diesel level
- Service information, warranty information, management of licenses

3. Precise field management

- Uniform field boundaries and waylines on all machines through rapid, seamless data exchange
- Optimization of AB lines in terms of number and length of waylines as well as the overlapped area

4. Simple task creation

- Create task with just a few clicks
- Wireless transfer to the machine
- Easy work coordination with employees: clear task assignment and reporting

5. Comprehensive task report

- Clear task report including relevant machine, field and agronomy data
- Time savings in documentation
- Task-related visualization of agronomy and machine data (forward speed, engine speed, application rate, deviation from target value, etc.) in Heat Maps

6. Intelligent location management

- Easily find locations that are relevant to operations (fields, field entrances, farmyards, stores) thanks to navigation based on Google Maps
- Simple location of machines
- View of the weather data to support action planning

1. More display surfaces

- Digital 10" dashboard: flexible display, important data such as on-board computer, button assignment, etc.
- 12" terminal on the armrest and cab roof: individual display of tractor operation, guidance, ISOBUS devices, infotainment, etc.

2. More operation options

- Multifunction joystick: more buttons can be freely assigned (also for ISOBUS function)
- 3L joystick: up to 27 functions across three operating levels (also for ISOBUS functions and operation of the front loader with a 3rd valve)
- Free assignment of buttons on the armrest
- No additional operating elements (terminals, joysticks) are necessary

3. Can be personalised

- Creation of user profiles to save settings for different drivers
- Assignment of admin rights
- Personalization of the display surfaces
- Free assignment of buttons and visual feedback to avoid operating errors

FendtONE onboard.



4. Simple operation

- All of the operating elements in one central location
- Intuitive operation (similar to smartphones and tablets)
- Flat menu structure to easily find individual functions
- Colour-coded labelling of the various function groups
- Proportional operation of the linkage
- Proportional operation of the hydraulic valves on the multi-function joystick
- Display of messages in clear text

5. Future-proof

- Large memory capacity
- More interfaces
- High connectivity



Agronomy.

Agronomy Basic Package

- The Agronomy basic package includes the order-related documentation system Fendt TaskDoc and the associated offboard component
- It includes a three-year TaskDoc server licence, which is required for mobile data transfer between FendtONE offboard (or a farm management system) and the tractor

Option

- agrirouter



agrirouter

- Web-based data exchange platform that enables cross-manufacturer data transfer between machines and agricultural software
- Via an agrirouter account, for example, agronomy data can be sent wirelessly from an FMIS to the Fendt terminal and vice versa.
- Data transmission in standardised format
- Can be used in conjunction with FendtONE:

- Through the agrirouter, other farm management systems can also be connected to FendtONE >> wireless data exchange between Fendt terminal and other FMIS*.

- + Overview of tasks and assignments
- + Simplified documentation of orders and fieldwork
- + complete documentation of the field work
- + also prepared for future documentation efforts

Prerequisite

- Agronomy Basic Package

*if the respective agricultural technology or agricultural equipment manufacturer is a member of the agrirouter consortium more information at www.my-agrirouter.com

Guidance system.

Guidance basic package

- includes the tractor preparation for guidance and the Fendt Guide application.

Option

- Choice of receivers (NovAtel or Trimble)
- Fendt Contour Assistant
- Fendt TI Headland (Fendt TI Auto + Fendt TI Turn Assistant)

- + Relief for the driver: Full concentration on the implement, easy control of the area already worked on.
- + Savings potential: Higher area output through full utilisation of the working width, at the same time minimisation of undesired overlaps and thus reduction of the operating resources required.
- + Sustainable land management: minimisation of soil compaction by reducing the number of passes and optimising turning operations.

Fendt Contour Assistant

- The Fendt Contour Assistant supplements the known contour line types with the contour lines
 - Contour segments
 - Single track
 - Single track segments
- Available as a software option for the Profi+ equipment variant

Fendt TI Headland

- Complete package for professional work on the headland
- Consists of the two functions
 - Fendt TI Auto
 - Fendt TI Turn Assistant
- Prerequisite: Fendt Guide (guidance basic package, receiver)

1. Receiver selection with Fendt Guide

- 2 different GNSS receivers are possible:
 - NovAtel Receiver
 - Trimble receiver
- Each business can individually select the receiver that best suits its requirements



NovAtel SMART7



Trimble AG-482



Telemetry.

Telemetry Basic Package

The telemetry basic package includes all components for the use of the telemetry solution Fendt Connect

- ACM Box
- Licence for a five-year use of Fendt Connect
- Fendt Connect web application and app

The Fendt Smart Connect product can be ordered as an option (free of charge).

Fendt Connect

- Fendt Connect is a central telemetry solution for Fendt machines
- Fendt Connect collects and analyses machine data to enable farms and contractors to monitor, analyse and optimise the state and use of their machines
- The mobile data transmission (4G/LTE) enables current machine data to be retrieved from anywhere - via a farm PC, tablet or smartphone

Fendt Smart Connect

- Fendt Smart Connect can be booked as an option to the basic telemetry package (free of charge).
- With Fendt Smart Connect, machine parameters can be visualised on the iPad, e.g. engine speed, slip, fuel and AdBlue consumption, engine load, etc.
- In addition to mobile radio, the ACM Box is equipped with its own WLAN, which enables data transmission to the free Fendt Smart Connect App.
- With Fendt Smart Connect, the driver is provided with an additional display surface that can be individually adapted
- There is no permanent data storage

Machine control.

Machine control basic package

- Prerequisite for further ISOBUS functions
- Simple and intuitive control of ISOBUS implements via standardised, cross-manufacturer interface Standard ISO 11783
- Tractor terminal and implement are connected by means of a socket at the rear

Option

- Fendt Section Control (SC)
- Fendt Variable Rate Control (VRC)
- Fendt Implement Management (TIM)
- Front unit control

Fendt Section Control

- Section Control is the automatic part-width section control for ISOBUS implements.
- This function is made possible by the Task Controller Section Control (TC-SC).
- The task controller documents where the area has already been processed and passes on the necessary switching commands to the machine's job computer, which switches the sections accordingly
- Headland mode: possibility to work the inside of the field first and then the headland
- Prerequisites: Fendt Guide, activation of TC-SC on tractor AND implement



Fendt Variable Rate Control (VRC)

- Variable Rate Control (VRC) is the site-specific control of the application rate of inputs (seed, crop protection products or fertiliser).
- Basis: application map created in advance with the help of an FMIS
- Application map is transferred to the machine as part of an order as an ISO-XML file via mobile radio or USB (Shape format also compatible, transferable only via USB)
- The TC-GEO task controller automatically adjusts the specified target application rates depending on the position.
- After completion of the order, send back an order report with the actually applied quantities to the FMIS.
- Prerequisites: Fendt Guide, Agronomy basic package, Fendt Section Control and activation for the ISOBUS standard TC-GEO for tractor AND implement.

Tractor Implement Management (TIM)

- With Tractor Implement Management (TIM), an implement can automatically control certain functions of the tractor, e.g. its forward speed or spool valves.
- This is possible as soon as both the tractor and the implement are equipped with the ISOBUS function TIM.
- With the help of TIM, the implement optimises its own workload, the driver is relieved and the team works more productively.
- The Fendt Implement Management (TIM-Steering) enables the machine to receive steering commands from an implement.



Fendt Services.

A Fendt machine is a high-tech product for the highest of demands. Accordingly, the certified Fendt sales partners offer first-class service.



+44 330 123 9909

You can reach the certified service partners around the clock via the Emergency Hotline.





The best product under the best protective shield.

- Extraordinary service partners and service:
- a short distance between our trained service employees and you
 - 24/7 Replacement parts availability during the season
 - 12 month guarantee on Fendt original parts and installation

100% quality. 100 % Service: Fendt Services

- Fendt Demonstration Service
- Fendt Expert Driver Training
- AGCO Finance - Financing and Leasing Offers
- Fendt Care - Maintenance and warranty extension
- Fendt Certified – Used machine programme

Fendt Certified / Fendt Care.

Ensure the operation of tomorrow today.

Fendt Demonstration Service

- Get on and try it out, instead of just talking about it
- Basis for an optimal decision-making process

Fendt Expert Driver Training

- Exclusive practical training with professional trainers
- Optimization of efficiency by learning all of the functions and exploiting the entire performance potential of the Fendt machine.

Individual financing and leasing models.

- Credit financing by AGCO Finance with attractive conditions and flexible terms
- Tailored leasing offers via the Fendt sales partner



Fendt Certified – Used machine programme

Used agricultural machines with proven high-quality and certified Fendt quality

Advantages:

- Certification according to demanding quality standards
- Extensive initial check (technology, wear, appearance)
- Meticulous maintenance of wearing parts
- replacement, cleaning and painting of components as needed
- one year warranty (can be extended)

Fendt Care - Maintenance and warranty extension

- Tailored maintenance and repair service that goes beyond the legal warranty
- Flexible run-times
- Flexible rates with and without deductible
- Only original parts used with guaranteed production quality and tested for functional reliability for optimal value retention of the Fendt machine.



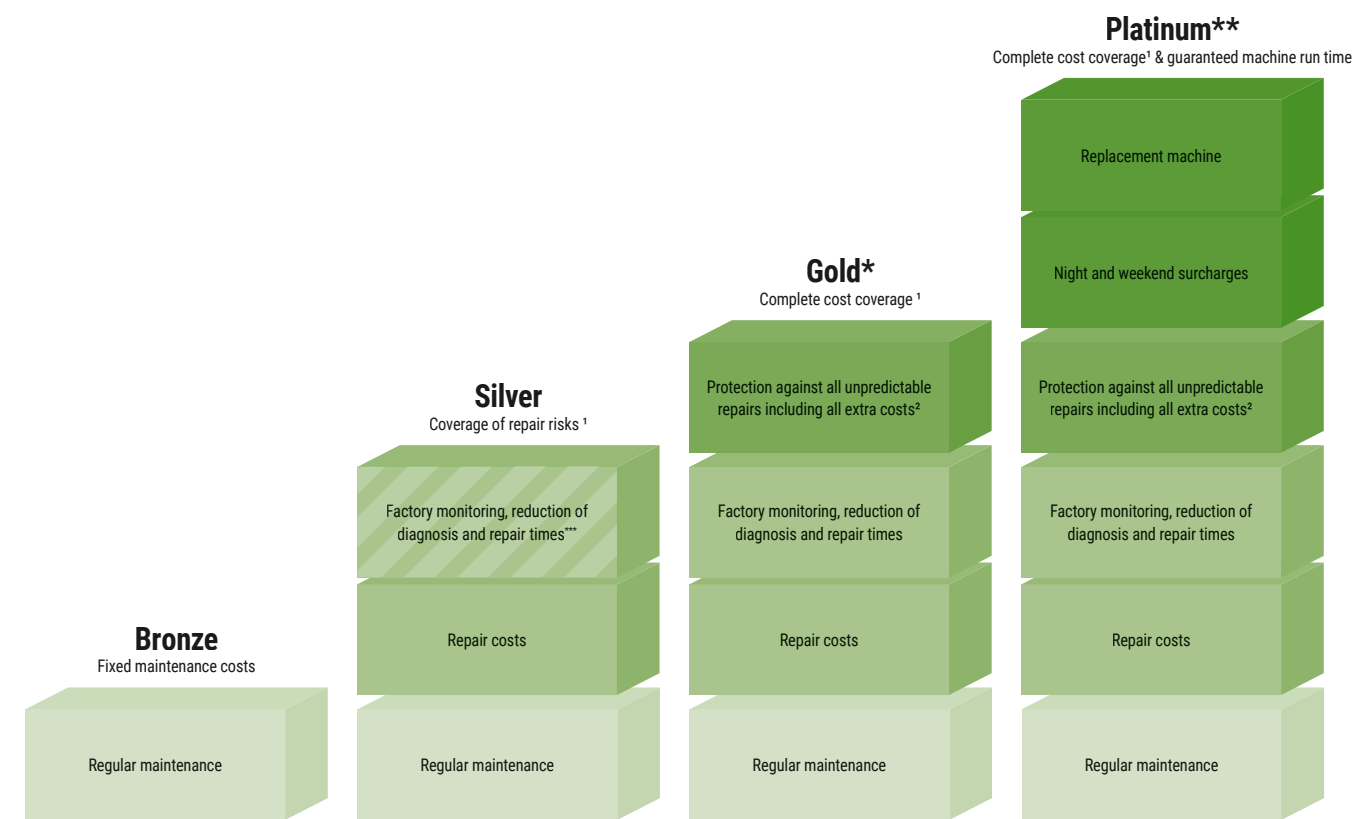
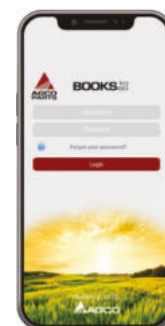
Planning security.

Fendt Care Rates

- Comprehensive range of services to ensure operational safety and the risk of repairs on new machines
- Full cost control with the best service
- Tailored solution for the fleet from maintenance contract to complete worry-free package including replacement machine

Smartphone-App "AGCO Parts Books to go"

- Find replacement parts quickly and order directly
- Download via the App Store or the Google Play Store
- Access data via the Fendt sales partner



	Complete Fendt Portfolio	Complete Fendt Portfolio	Wheeled tractor with Fendt Connect & telescopic handler ³	Wheeled tractor with Fendt Connect
Available for	Complete Fendt Portfolio	Complete Fendt Portfolio	Wheeled tractor with Fendt Connect & telescopic handler ³	Wheeled tractor with Fendt Connect
Customer benefit (deductible)	Operation safety of the machine	Coverage of large-scale damage ³ (490 €) Comprehensive coverage at attractive rates (190 €) Complete coverage with full cost control (0 €)	Complete coverage with full cost control including all extra costs (0 €)	Complete coverage with full cost control including all extra costs & guaranteed machine run time (0 €)
Maximum coverage	8 Years / 8,000 OH	5 Years / 3,000 OH	3 Years / 4,000 OH ⁴	5 Years / 25,000 Bales ⁴
Warranty extension		5 Years / 5,000 OH	3 Years / 2,000 OH ⁴	5 Years / 50,000 Bales
			8 Years / 4,000 Pump-H	5 Years / 8,000 OH
				5 Years / 750 OH ⁷

OH = operating hours; H = hours; ¹ except for wear and tear; ² travel costs, recovery/towing, fault finding with additional diagnosis tools, use of performance test stand, oils and filters, if motor/drive is repaired; ³ only available for self-propelled machines, RG300 & Momentum; ⁴ only ISOBUS-equipped devices; ⁵ only PR, VR & XR; ⁶ including Rolllector; ⁷ only Momentum 16 & 24; *Gold rate for telescopic handler also available without Connect; **Gold rate only available in DE/FR/GB/IT/BG/CZ/EE/HR/HU/LT/LV/LU/MD/RO/RS/SE/SI/SK/UA/AT/LU/NL/CH/BE/BY/NO/PL/DK; **Platinum only available in DE, EN, FR; ***optional with Fendt Connect



Front ballasting:

- 400 kg
- 870 kg
- 1250 kg

Rear axle ballasting:

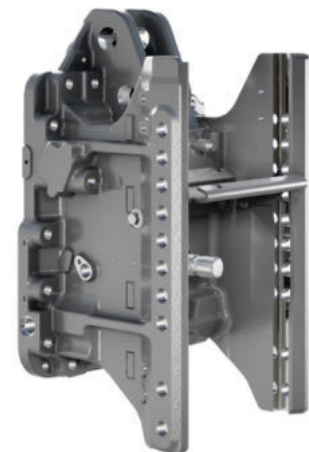
- 2 x 200 kg
- 2 x 300 kg
- 2 x 600 kg

Technical Details.

Hitching devices*

- Common height-adjustable trailer couplings in the carriage with 2 t drawbar load (carriage width 312 mm)
- Modular system for lower trailers with up to 3 t drawbar load
- Fall-through protection for height-adjustable trailer couplings
- Mudguard serves as PTO cover

*country specific



Bottom hitch attachment parts Basic (A179)

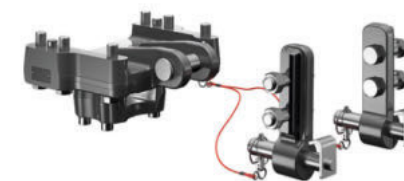
Ball head coupling short (with/without connection points forced steering)



Pull rod extendable 30 mm bolt (A192)



Piton Fix Heavy duty (A201)



Bottom hitch attachments (A197)



Piton Fix drawbar



Hitch (A175)

FENDT

It's Fendt. Because we understand Agriculture.



www.fendt.com

AGCO GmbH – Fendt Marketing
87616 Marktberdorf, Germany


Your Agriculture Company

Fendt is a worldwide brand of AGCO.
All details regarding scope of delivery, appearance, performance, dimensions and weights, fuel consumption and running costs of vehicles reflect the latest information available at the time of print. These may change by the time of purchase. Your Fendt dealer will be happy to inform you about any changes. The vehicles shown do not feature country-specific equipment.